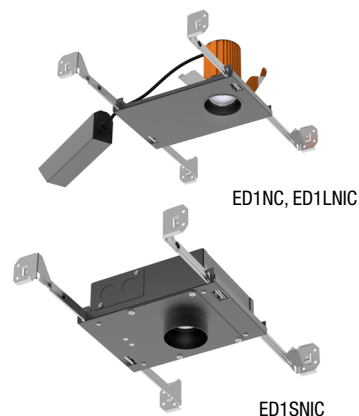
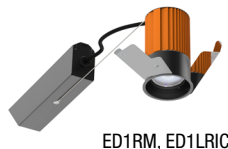
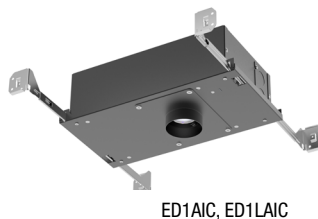
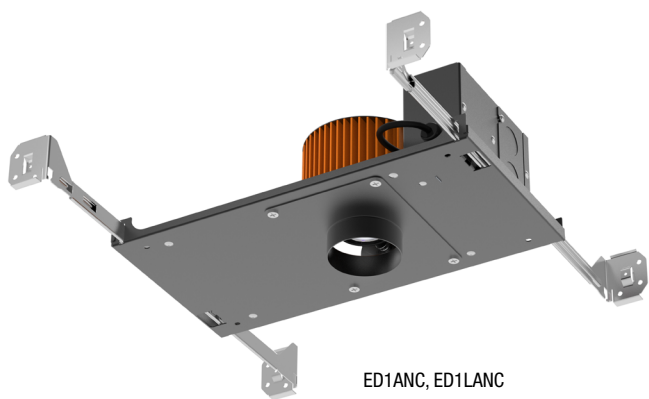


ECO 1" LED DOWNLIGHT

ED1AIC, ED1ANC, ED1NC, ED1RM
ED1LAIC, ED1LANC, ED1LNIC, ED1LRIC
ED1SNIC

PROJECT: _____
TYPE: _____
NOTE: _____

SPEC-00271 NEW ECO, 1", V-8.0, UPDATED 03/15/2024



LED LIGHT ENGINE

RATED WATTAGE	13.3W, 9.6W, 8.7W
DELIVERED LUMENS	Up to 1110 lm
EFFICACY	Up to 103 LPW
CCT @ 90CRI	2700K, 3000K, 3500K, 4000K, Warm Dim
COLOR QUALITY	90+ CRI, 2-Step SDCM
LED LIFETIME	55,000 hours @ L90

DELIVERED LUMENS MATRIX

ED1 (9.6W)	10° Optic	30° Optic	50° Optic	80° Optic
2700K (90CRI)	742 lm	888 lm	825 lm	641 lm
3000K (90CRI)	816 lm	977 lm	908 lm	706 lm
3500K (90CRI)	928 lm	1110 lm	1031 lm	802 lm
4000K (90CRI)	928 lm	1221 lm	1134 lm	882 lm

ED1 NIC, RIC (8.7W)	10° Optic	30° Optic	50° Optic	80° Optic
Warm Dim (98 CRI, R9>90)	383 lm	466 lm	466 lm	386 lm

ED1 AIC, ANC (13.3W)	10° Optic	30° Optic	50° Optic	80° Optic
Warm Dim (98 CRI, R9>90)	543 lm	661 lm	661 lm	548 lm

ED1L (8.7W)	10° Optic	30° Optic	50° Optic	80° Optic
2700K (90CRI)	646 lm	773 lm	719 lm	559 lm
3000K (90CRI)	686 lm	826 lm	765 lm	589 lm
3500K (90CRI)	743 lm	889 lm	826 lm	642 lm
4000K (90CRI)	789 lm	950 lm	880 lm	678 lm

ED1S (9.6W)	10° Optic	30° Optic	50° Optic	80° Optic
2700K (90CRI)	742 lm	888 lm	825 lm	641 lm
3000K (90CRI)	816 lm	977 lm	908 lm	706 lm
3500K (90CRI)	928 lm	1110 lm	1031 lm	802 lm
4000K (90CRI)	928 lm	1221 lm	1134 lm	882 lm
Warm Dim (98 CRI, R9>90)	423 lm	515 lm	516 lm	427 lm

SILENT VU™ OPTICS TECHNOLOGY

OPTICS	50° Installed, 10°, 30°, 80° available
ADJUSTABLE	0° to 15° tilt (Adjustable housings only)
MEDIA	Clear, Solite, Frosted, Linear Spread

POWER SUPPLY

INPUT VOLTAGE	120/277V, 50/60Hz
DIMMING	TRIAC, ELV, 0-10V, dims to 1%
SERVICABILITY	Below Ceiling Access

TRIM OPTIONS

- Fixed or Adjustable
- Round or Square
- Standard or Trimless
- Wet Location

TRIM COLORS

- White
- Black
- Champagne
- Champagne w/ White Flange
- Black w/ White Flange
- Silver w/ White Flange

HOUSING INSTALLATION

- New Construction includes (2) galvanized steel adjustable hanger bars
- Remodel option available
- 5/8" ~ 2" ceiling thickness
- Min Plenum Height: 2 1/2" Shallow
- Ceiling Material: Drywall, T-bar grid
- Steel junction box with up to (4) 1/2" knockouts
- AIC, NIC, RIC, SNIC models are Air Tight.
- AIC, SNIC models are CCEA compliant.
(Note: polycell spray-in foam insulation must be kept 3" from housing)

LISTINGS AND WARRANTY

cULus Listed
IC Rated and Non IC Rated Available
CCEA Approved (AIC, SNIC Models)
Five (5) years limited warranty

UL Listed for Wet Location (Wet Location Trim Style)
CA Title 24-JA8 Compliant (AIC, NIC, RIC, SNIC Models)
ASTM E283 Certified Airtight (AIC, NIC, RIC, SNIC Models)



ECO 1" LED DOWNLIGHT

ED1AIC, ED1ANC, ED1NC, ED1RM
ED1LAIC, ED1LANC, ED1LNIC, ED1LRIC
ED1SNIC

PROJECT: _____
TYPE: _____
NOTE: _____

SPEC-00271 NEW ECO, 1", V-8.0, UPDATED 03/15/2024

ORDER MATRIX

ED1

ECO 1" HOUSING + LIGHT ENGINE ORDER MATRIX (Example: ED1AIC-309050-12S)

HOUSING BASE		LED PERFORMANCE			DRIVER ASSEMBLY	
FAMILY APERTURE	INSTALLATION TYPE	CCT	CRI	OPTIC	WATTAGE	LED DIMMING DRIVER
ED1 ECO 1"	AIC (Adjustable New Construction, IC, CCEA)	-27 (2700K)	90 (90 CRI)	50 (50° Flood) Installed 10°, 30°, 80° optics available from the Additional Optics Accessories table below	-12 (9.6W)	S³ Universal Dimming Driver (1%-100% 0-10V, TRIAC, ELV, 120V/277V)
	ANC (Adj New Construction)	-30 (3000K)				
	NC (New Construction)	-35 (3500K)				
	RM (Remodel)	-40 (4000K)				
ED1 ECO 1" Warm Dim	AIC¹ (Adjustable New Construction, IC, CCEA)	-WD¹ (1800K~3000K)	98 (98 CRI)	50 (50° Flood) Installed 10°, 30°, 80° optics available from the Additional Optics Accessories table below	-10¹ (8.7W) NIC or RIC Installation Type only	S³ Universal Dimming Driver (1%-100% 0-10V, TRIAC, ELV, 120V/277V)
	ANC¹ (Adj New Construction)	Warm Dim				
	NIC¹ (New Construction IC)	Warm Dim				
	RIC¹ (Remodel IC)	Warm Dim				

1. AIC or ANC Installation Type and Wattage Code -14.
NIC or RIC Installation Type and Wattage Code -10.

2. Wattage Code -14 Title 24 JA-8 compliant only with 30° or 50° optic installed.
3. TRIAC, ELV dimming for 120V only.

ED1L

ECO 1" HOUSING + LIGHT ENGINE ORDER MATRIX (Example: ED1LAIC-309050-10S)

HOUSING BASE		LED PERFORMANCE			DRIVER ASSEMBLY	
FAMILY APERTURE	INSTALLATION TYPE	CCT	CRI	OPTIC	WATTAGE	LED DIMMING DRIVER
ED1L ECO 1" LPD	AIC (Adjustable New Construction, IC, CCEA)	-27 (2700K)	90 (90 CRI)	50 (50° Flood) Installed 10°, 30°, 80° optics available from the Additional Optics Accessories table below	-10 (8.7W)	S¹ Universal Dimming Driver (1%-100% 0-10V, TRIAC, ELV, 120V/277V)
	ANC (Adj New Construction)	-30 (3000K)				
	NIC (New Construction IC)	-35 (3500K)				
	RIC (Remodel IC)	-40 (4000K)				

1. TRIAC, ELV dimming for 120V only.

ED1S

ECO 1" HOUSING + LIGHT ENGINE ORDER MATRIX (Example: ED1SNIC-309050-12A1)

HOUSING BASE		LED PERFORMANCE			DRIVER ASSEMBLY	
FAMILY APERTURE	INSTALLATION TYPE	CCT	CRI	OPTIC	WATTAGE	LED DIMMING DRIVER
ED1S ECO 1" Shallow	NIC (Shallow Plenum New Construction, IC, CCEA)	-27 (2700K)	90 (90 CRI)	50 (50° Flood) Installed 10°, 30°, 80° optics available from the Additional Optics Accessories table below	-12 (9.6W)	A1 Phase Control Dimming Driver (5%-100% TRIAC, ELV, 120V)
		-30 (3000K)				
		-35 (3500K)				
		-40 (4000K)				
ED1S ECO 1" Shallow Warm Dim	NIC (Shallow Plenum New Construction, IC, CCEA)	-WD (1800K~3000K)	98 (98 CRI)	50 (50° Flood) Installed	-12 (9.6W)	A1 Phase Control Dimming Driver

ORDER MATRIX

TRIM & TRIMLESS

ECO 1" DOWNLIGHT TRIM ORDER MATRIX (Example: ED1-RSTWT)

FAMILY APERTURE	TRIM SHAPE	TRIM STYLE	TRIM FINISH	
ED1- ECO 1" Flanged	R (Round)	ST (Standard)	WT (White)	BW' (Black w/ White Flange)
	S (Square)	WL (Wet Location)	BK (Black)	SW' (Silver w/ White Flange)
			CN (Champagne)	CW' (Champagne w/ White Flange)

1. Color option available in ST (Standard) Style only.

ECO 1" DOWNLIGHT TRIMLESS ORDER MATRIX (Example: ED1-KRSTWT)

FAMILY APERTURE	KIT	REFLECTOR SHAPE	REFLECTOR STYLE	REFLECTOR FINISH
ED1- ECO 1" Trimless	K (Reflector and Mudplate Kit)	R (Round)	ST (AIC (Adjustable IC), ANC (Adjustable Non-IC), SNIC (Shallow) housing types only)	WT (White)
		S' (Square)	RM (NC (Fixed), RM (Remodel) housing types only)	BK (Black)
				CN (Champagne)

1. S (Square) not available for RM Reflector Style.

ACCESSORIES

ECO 1" ACCESSORIES FOR ECO ED1, ED1L, ED1S

ADDITIONAL OPTICS	OPTICAL MEDIA	EMERGENCY OPTIONS
ED1-10-OPTIC' (10° Spot)	ED1-CL (Clear Lens)	EM-1000 (25W Remote Inverter)
ED1-30-OPTIC' (30° Narrow Flood)	ED1-MP' (Solite Lens)	EM-1002 (10W Remote EM Driver)
ED1-50-OPTIC' (50° Flood)	ED1-FR² (Frosted Lens)	EM-1003-CA (35W Remote Inverter) Title 20
ED1-80-OPTIC² (80° Wide Flood)	ED1-LS (Linear Spread Lens)	EM-1004 (50W Remote Inverter)
	ED1-HEX³ (Hex Louver)	EM-1006 (25W Remote Inverter) Title 20
	ED1-MHLDR⁴ (Media Holder)	

1. WD with 10°, 30°, 50° Optic requires MP (Solite Lens).
2. WD with 80° Optic requires FR (Frosted Lens).

3. Only available for AIC, LAIC, ANC, LANC, SNIC housings, media holder required.
4. MHLDR required when ordering any optical media.

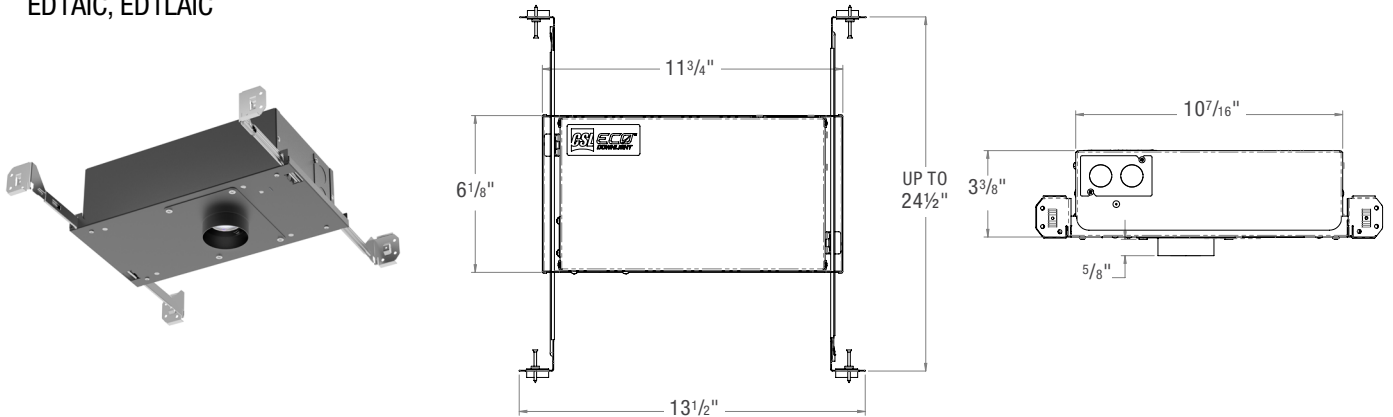
TRIM ACCESSORIES

ECO 1" TRIM ACCESSORIES ORDER MATRIX (Example: ED1-R-TL)

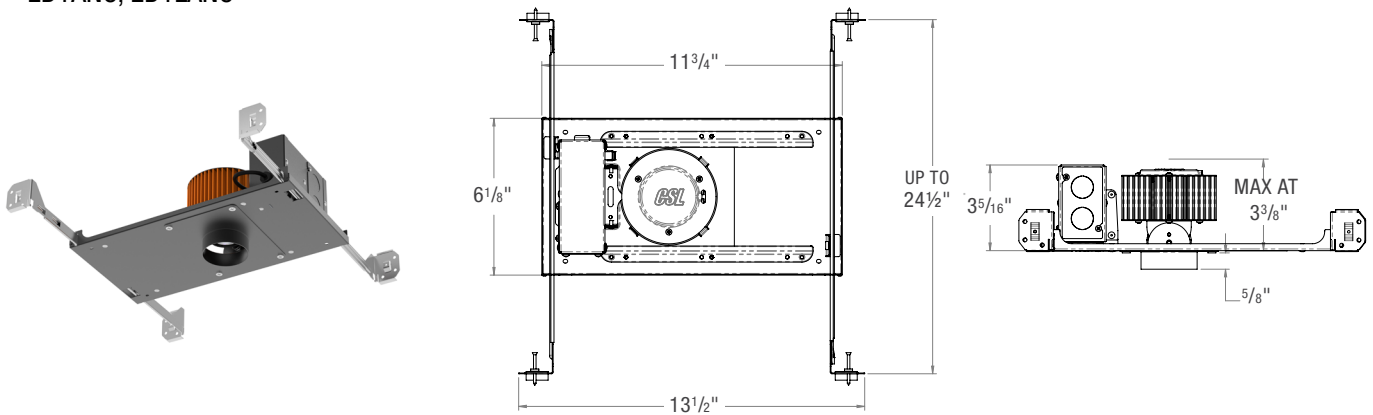
SIZE	STYLE	
ED1- ECO 1"	R-TL (Round Trimless Mudplate for AIC/ANC/SNIC)	R-FMA (Round Flush Mount Adapter)
	R-RMTL (Round Trimless Mudplate for RM/NC)	S-FMA (Square Flush Mount Adapter)
	S-TL (Square Trimless Mudplate/Housing Collar)	TC1 (Thick Ceiling Adapter for ceilings 1 ¹ / ₁₆ " to 1 ¹ / ₄ ")
		TC2 (Thick Ceiling Adapter for ceilings 1 ⁵ / ₁₆ " to 2")

HOUSING AND LIGHT ENGINE LINE DRAWINGS

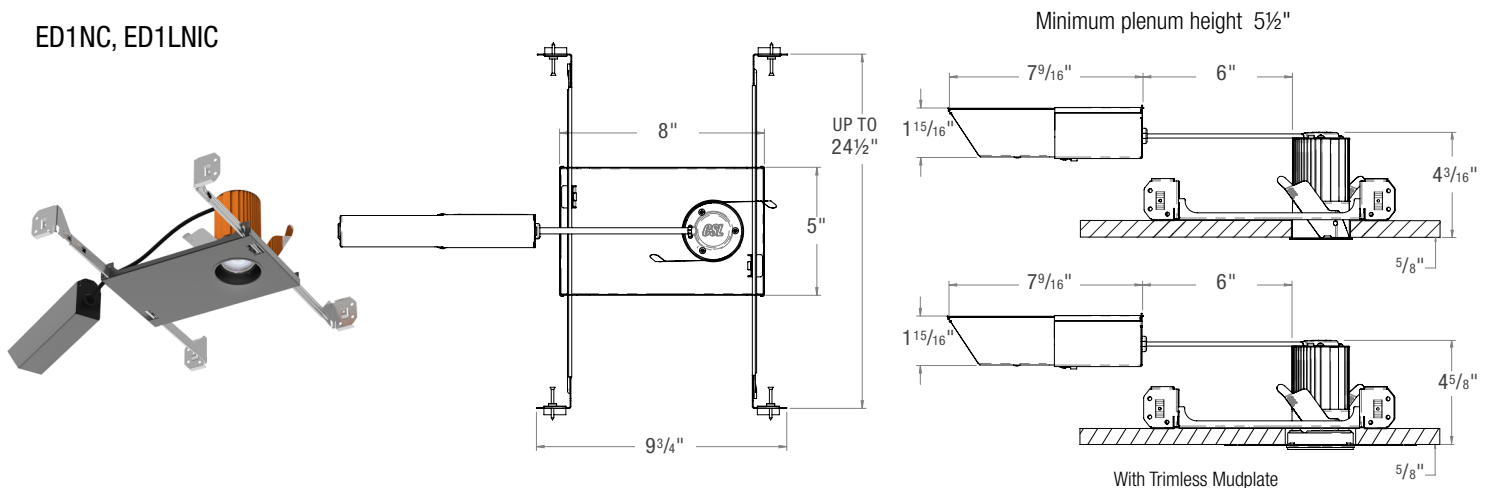
ED1AIC, ED1LAIC



ED1ANC, ED1LANC



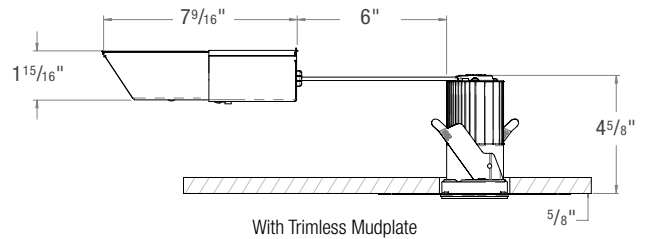
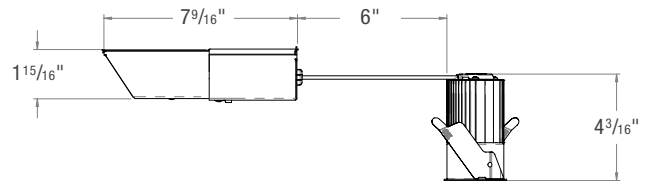
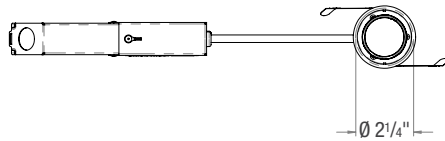
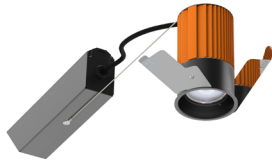
ED1NC, ED1LNIC



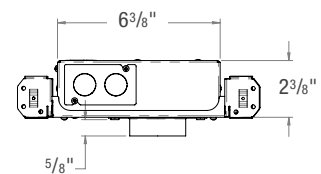
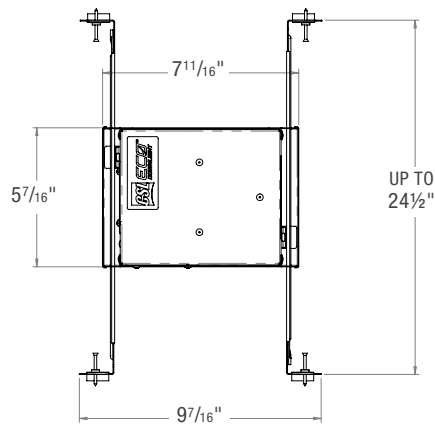
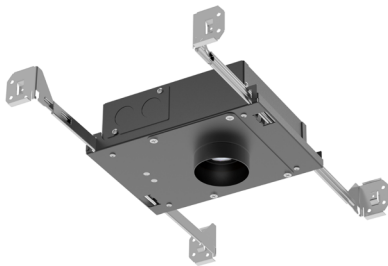
HOUSING AND LIGHT ENGINE LINE DRAWINGS

ED1RM, ED1LRIC

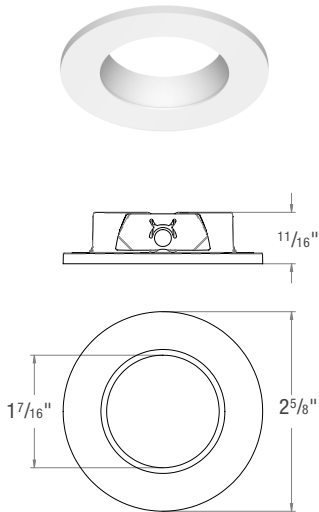
Minimum plenum height 5 1/2"



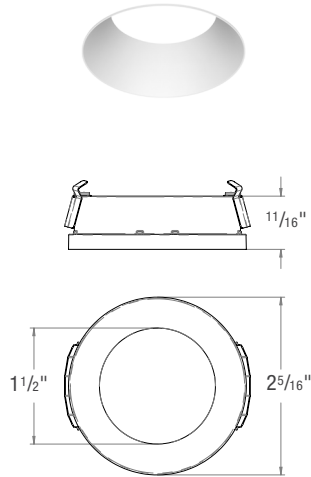
ED1SNIC



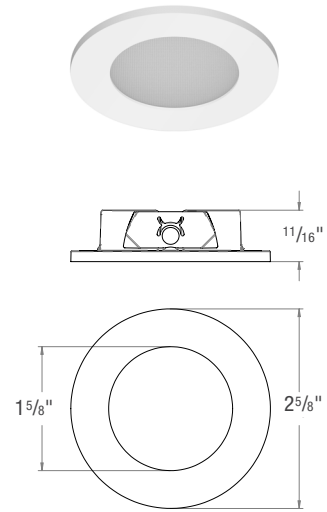
TRIM STYLES



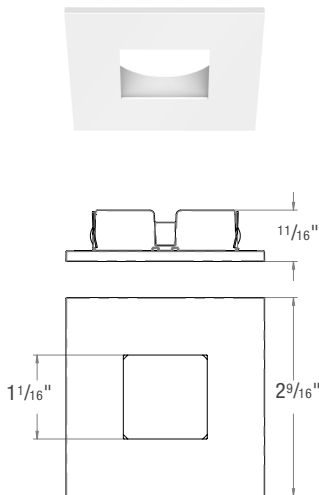
ED1-RST
Round Standard



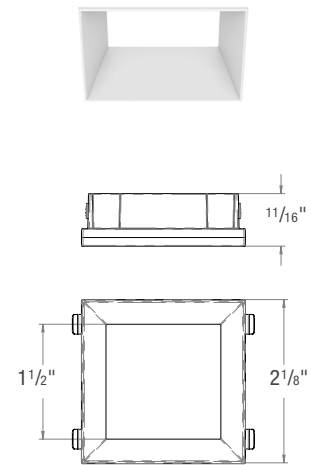
ED1-RTL
Round Trimless



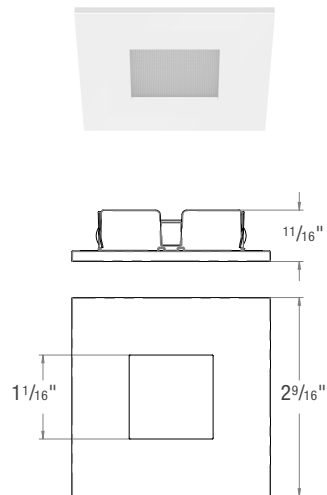
ED1-RWL
Round Wet Location



ED1-SST
Square Standard

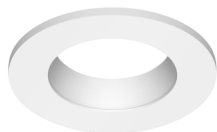


ED1-STL
Square Trimless
Trimless Style for use with AIC, ANC, and SNIC models only.



ED1-SWL
Square Wet Location

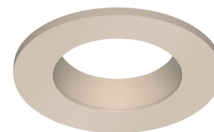
TRIM FINISHES



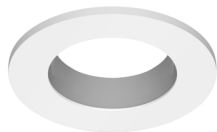
ED1-RSTWT
WT (White Reflector with White Trim)



ED1-RSTBK
BK (Black Reflector with Black Trim)



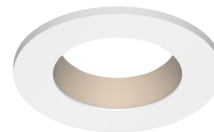
ED1-RSTCN
CN (Champagne Reflector with Champagne Trim)



ED1-RSTSW
SW (Silver Reflector with White Trim)



ED1-RSTBW
BW (Black Reflector with White Trim)



ED1-RSTCW
CW (Champagne Reflector with White Trim)



ED1-SSTWT
WT (White Reflector with White Trim)



ED1-SSTBK
BK (Black Reflector with Black Trim)



ED1-SSTCN
CN (Champagne Reflector with Champagne Trim)



ED1-SSTSW
SW (Silver Reflector with White Trim)

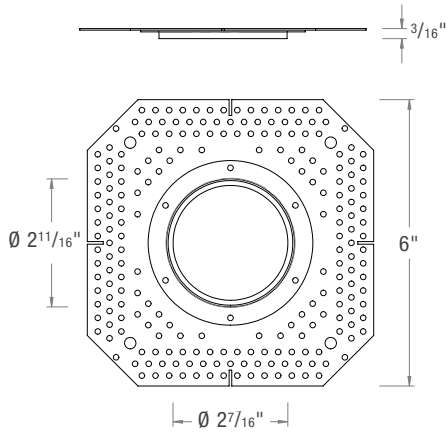


ED1-SSTBW
BW (Black Reflector with White Trim)

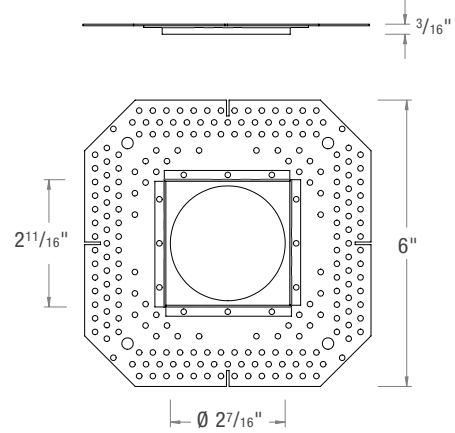


ED1-SSTCW
CW (Champagne Reflector with White Trim)

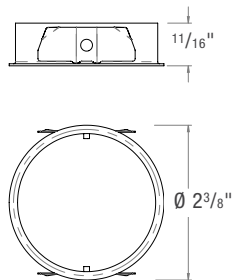
ACCESSORIES



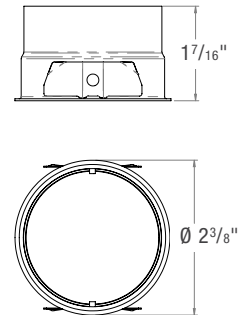
ED1-R-FMA
Round Flush Mount Adapter



ED1-S-FMA
Square Flush Mount Adapter

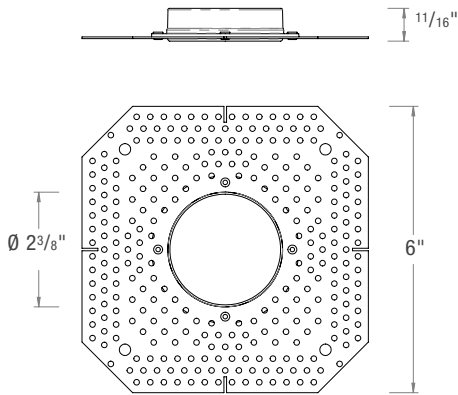


ED1-TC1
Thick Ceiling Adapter
for ceilings 1 1/16" to 1 1/4"



ED1-TC2
Thick Ceiling Adapter
for ceilings 1 5/16" to 2"

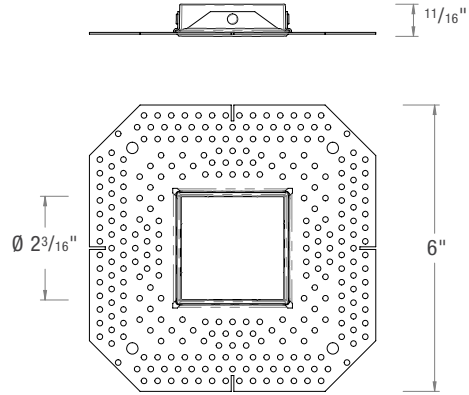
TRIMLESS ACCESSORIES



ED1-R-TL

Round Trimless Mudplate

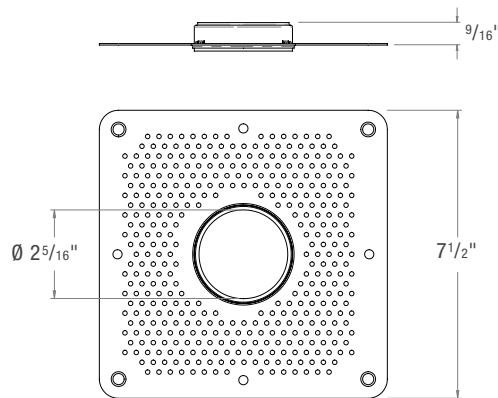
For use with AIC, ANC, SNIC housings only



ED1-S-TL

Square Trimless Mudplate

For use with AIC, ANC, SNIC housings only



ED1-R-RMTL

Round Trimless Mudplate

For use with NC, NIC, RM, RIC housings only

ECO 1" LED DOWNLIGHT

ED1AIC, ED1ANC, ED1NC, ED1RM
ED1LAIC, ED1LANC, ED1LNIC, ED1LRIC
ED1SNIC

PROJECT: _____

TYPE: _____

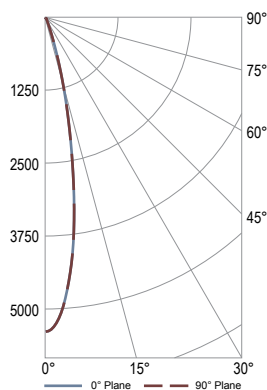
NOTE: _____

SPEC-00271 NEW ECO, 1", V-8.0, UPDATED 03/15/2024

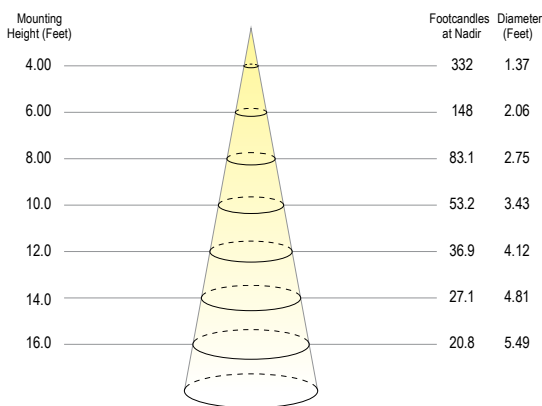
PHOTOMETRICS

Eco Downlight 1" ANC model (2700K, 90 CRI, 10° Optic, 12W)
Round, Standard, White Trim

Polar Plot



Cone of Light Tabulation



Voltage	Current	Power
120.1 VAC	0.09058 A	10.77 W

Power Factor	Frequency	Current THD
0.990	60 Hz	10.4%

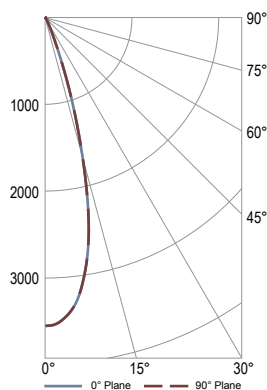
Summary of Results

Spacing Criteria 0-180: 0.34
90-270: 0.34
Total Lumen Output: 742.1 Lumens
Luminaire Efficacy: 68.9 lm/w
Maximum Candela: 5316 Candela

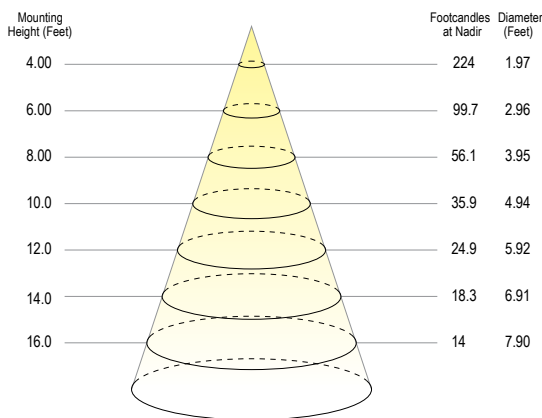
Zone	Lumens	% of Luminaire
0-40	726	97.8%
0-60	734	98.9%
0-90	742	100.0%

Eco Downlight 1" ANC model (2700K, 90 CRI, 30° Optic, 12W)
Round, Standard, White Trim

Polar Plot



Cone of Light Tabulation



Voltage	Current	Power
120.1 VAC	0.09064 A	10.77 W

Power Factor	Frequency	Current THD
0.990	60 Hz	10.4%

Summary of Results

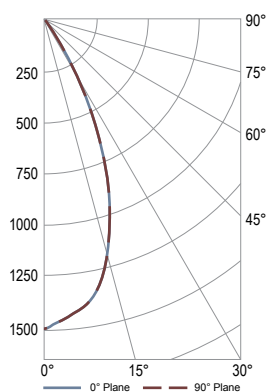
Spacing Criteria 0-180: 0.49
90-270: 0.49
Total Lumen Output: 843.6 Lumens
Luminaire Efficacy: 78.3 lm/w
Maximum Candela: 3589 Candela

Zone	Lumens	% of Luminaire
0-40	835	98.9%
0-60	839	99.5%
0-90	844	100.0%

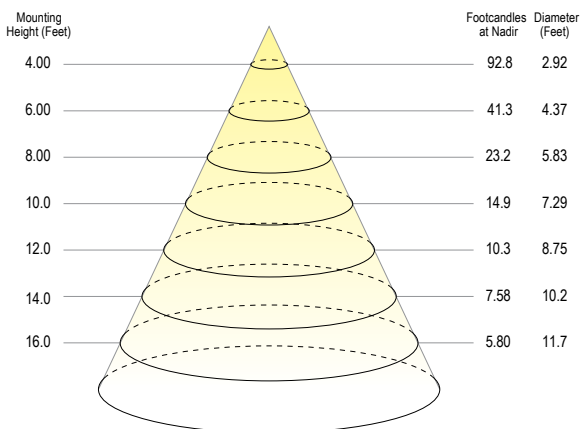
PHOTOMETRICS

Eco Downlight 1" ANC model (2700K, 90 CRI, 50° Optic, 12W)
Round, Standard, White Trim

Polar Plot



Cone of Light Tabulation



Voltage	Current	Power
120.1 VAC	0.09046 A	10.76 W

Power Factor	Frequency	Current THD
0.991	60 Hz	8.84%

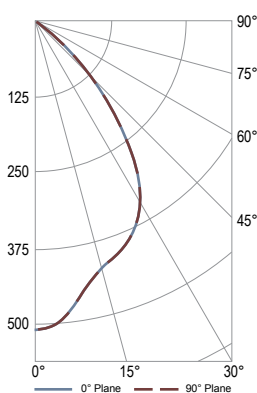
Summary of Results

Spacing Criteria 0-180: 0.73
90-270: 0.73
Total Lumen Output: 825.0 Lumens
Luminaire Efficacy: 76.6 lm/w
Maximum Candela: 1485 Candela

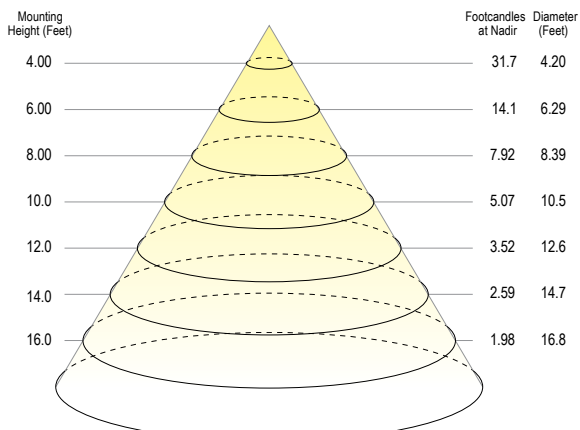
Zone	Lumens	% of Luminaire
0-40	806	97.6%
0-60	820	99.4%
0-90	825	100.0%

Eco Downlight 1" ANC model (2700K, 90 CRI, 80° Optic, 12W)
Round, Standard, White Trim

Polar Plot



Cone of Light Tabulation



Voltage	Current	Power
120.0 VAC	0.9022 A	10.73 W

Power Factor	Frequency	Current THD
0.991	60 Hz	9.02%

Summary of Results

Spacing Criteria 0-180: 1.05
90-270: 1.05
Total Lumen Output: 641.1 Lumens
Luminaire Efficacy: 59.8 lm/w
Maximum Candela: 507 Candela

Zone	Lumens	% of Luminaire
0-40	513	79.9%
0-60	629	98.1%
0-90	641	100.0%

FOR DRIVER TYPE "S"

Universal Dimming Driver, ED1 and ED1L

Compatible Phase Control Dimmers			
MFG	Model	MFG	Model
Lutron	LGCL-153PL	Leviton	VPE06
Lutron	DVRP-253P	Leviton	DW1KD-1BZ
Lutron	RRD-6CL	Leviton	IPE04
Lutron	NTELV-600P	Leviton	IPL06
Lutron	DVELV-303P	Cooper	SAL06P
Lutron	MAELV-600		
Lutron	PD-6WCL		
Lutron	SELV-300P		
Lutron	DVCL-153P		

Compatible dimmer information provided by the dimming driver manufacturer

Compatible 0-10VDC Dimmers	
MFG	Model
Lutron	NFTV
Lutron	DVTV
Lutron	DVSTV
Leviton	IP710-LFZ
Lightolier	SR1200ZTUNV
Cooper	SF10P-W
Leviton	IP710-DL

Compatible dimmer information provided by the dimming driver manufacturer

CSL ECO DOWNLIGHTS	ECO 1" LED DOWNLIGHT	PROJECT: _____
	ED1AIC, ED1ANC, ED1NC, ED1RM ED1LAIC, ED1LANC, ED1LNIC, ED1LRIC ED1SNIC	TYPE: _____ NOTE: _____
SPEC-00271 NEW ECO, 1", V-8.0, UPDATED 03/15/2024		

FOR DRIVER TYPE "A1"

Phase Control Dimming Driver, ED1S only

Compatible Phase Control Dimmers	
MFG	Model
Leviton	6684
Leviton	RP106
Leviton	IP106
Leviton	6615
Lutron	NTLV-600
Lutron	DV-103P
Lutron	S-600P
Lutron	DVCL-153P

Compatible dimmer information provided by the dimming driver manufacturer